




# MANUAL • RYOM Høusehus • Art. no. 181-119 • (1)



## SCREWS

**A**  3.5x50 (4pcs)

**B**  3.5x40 (14pcs)

**C**  3.5x35 (4pcs)

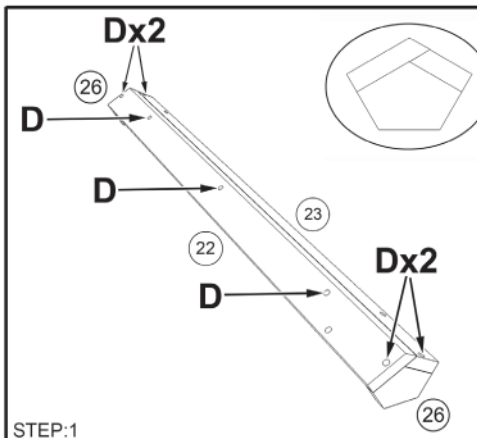
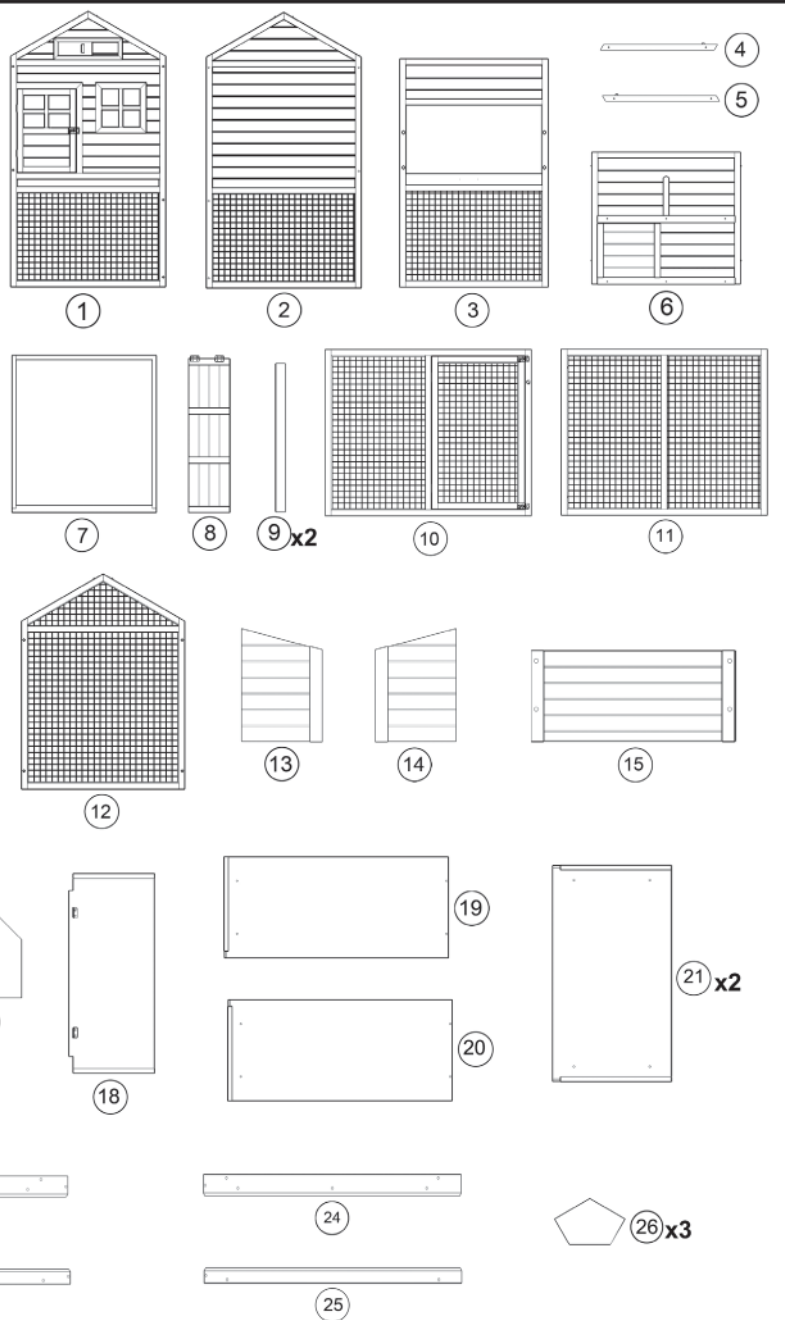
**D**  3.0x30 (36pcs)

**E**  3.0x12 (14pcs)

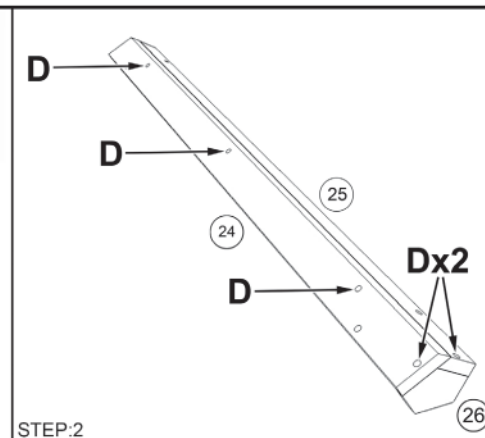
**F**  M6x55 (8pcs)

**G**  (1pcs)

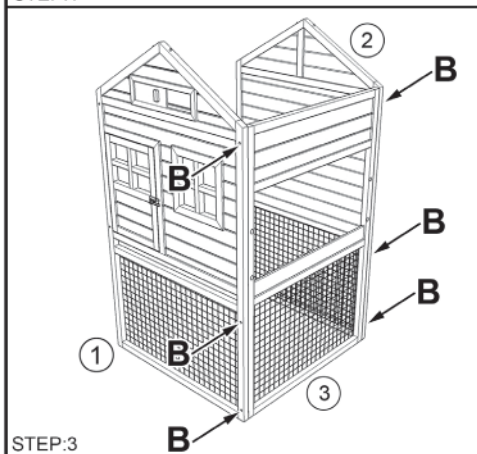
**H**  (1pcs)



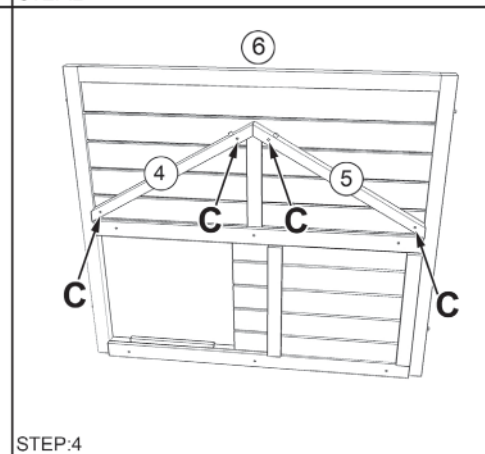
STEP:1



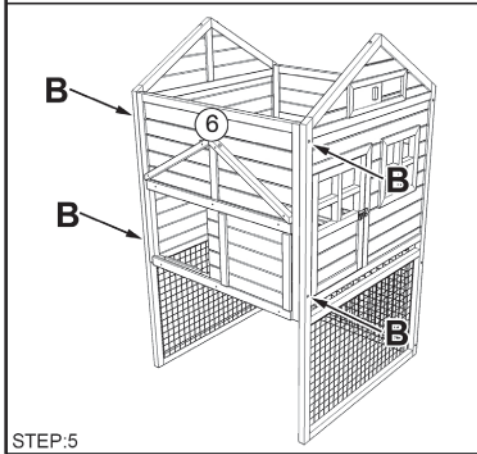
STEP:2



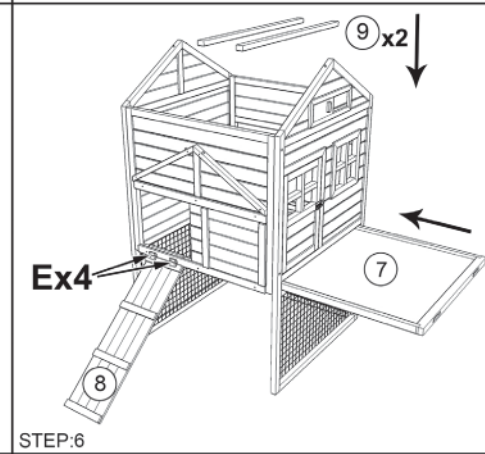
STEP:3



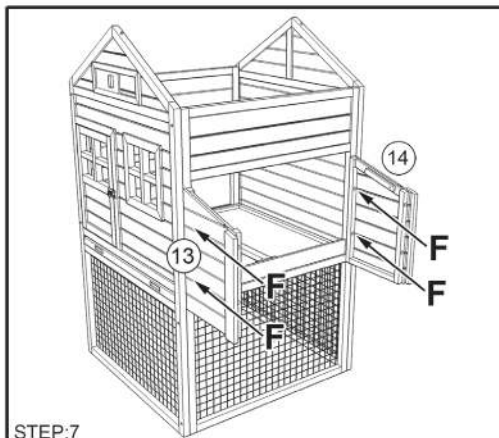
STEP:4



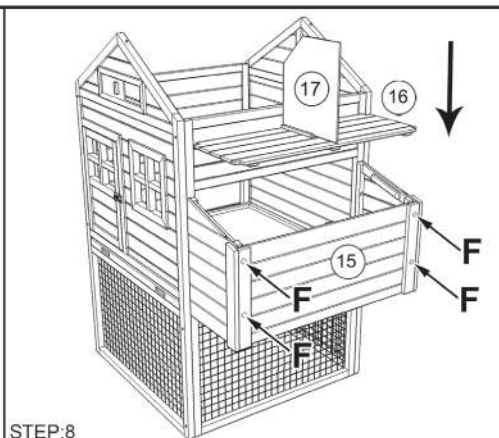
STEP:5



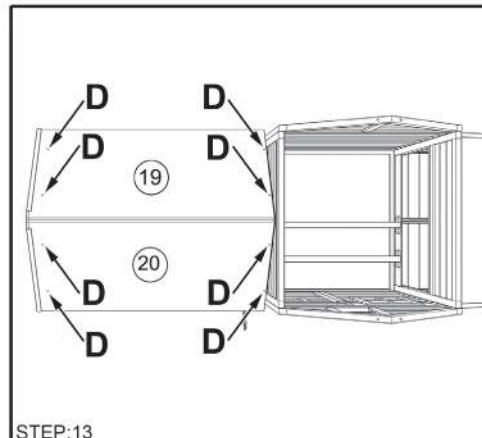
STEP:6



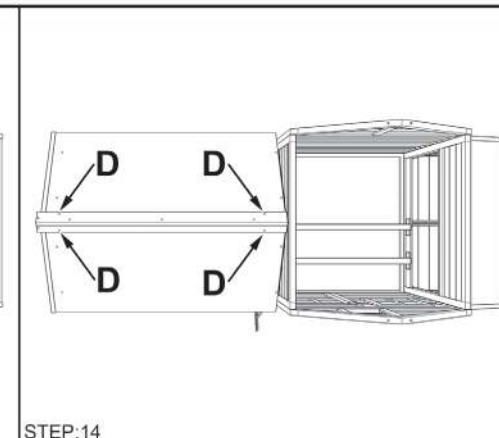
STEP:7



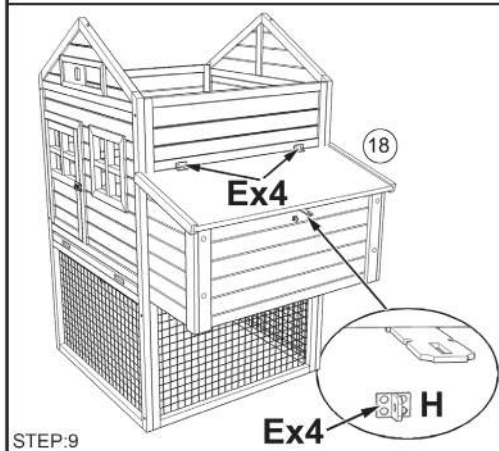
STEP:8



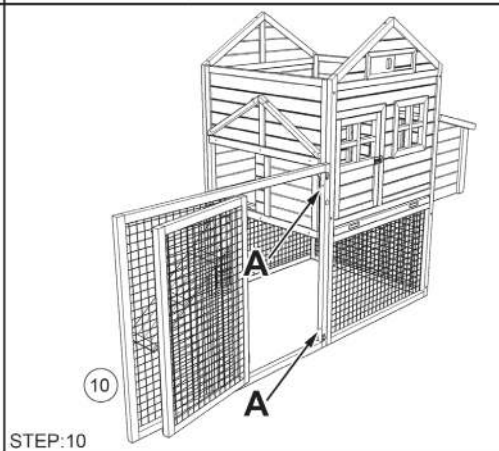
STEP:13



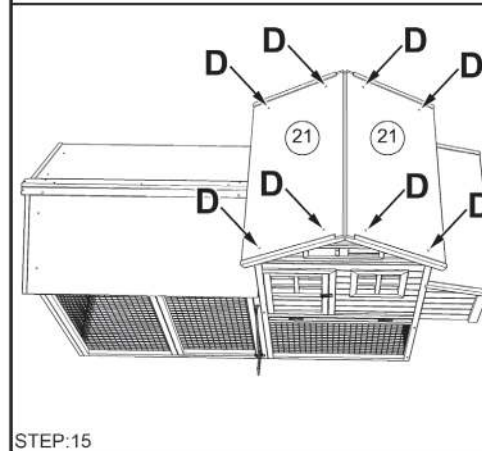
STEP:14



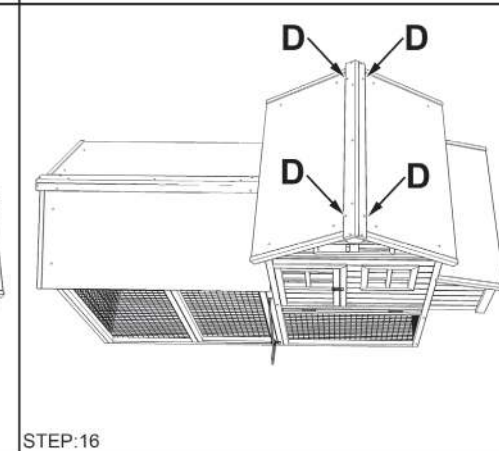
STEP:9



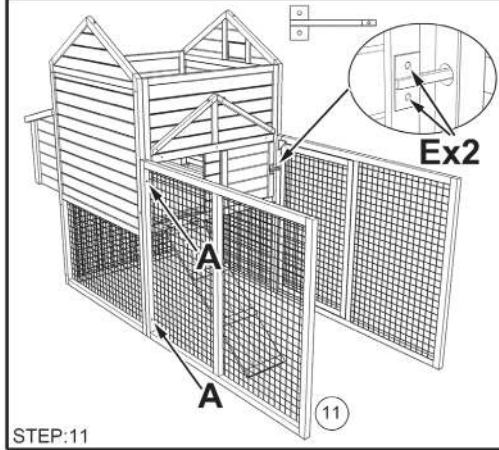
STEP:10



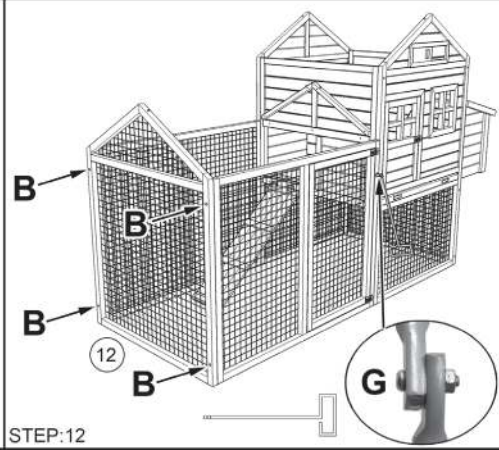
STEP:15



STEP:16



STEP:11



STEP:12

